



**Techni**  
ENGINEERING SOLUTIONS

**MERCEDES BENZ SPRINTER**

**210 CDI / 310 CDI / 510 CDI / 213 CDI**

**313 CDI / 413 CDI / 513 CDI / 216 CDI**

**316 CDI / 416 CDI / 516 CDI**

---

**CODE / CODICE: 0500.6752**

**COMPRESSOR / COMPRESSEUR / KOMPRESSOR /  
COMPRESSORE / COMPRESOR :**

**SELTEC SP13 / 15 / 16**

**QUE QP13 / 15 / 16**

---

**FITTING INSTRUCTIONS**

**EINBAUANLEITUNGEN**

**INSTRUCTIONS POUR LE MONTAGE**

**ISTRUZIONI DI MONTAGGIO**

**INSTRUCCIONES DE MONTAJE**

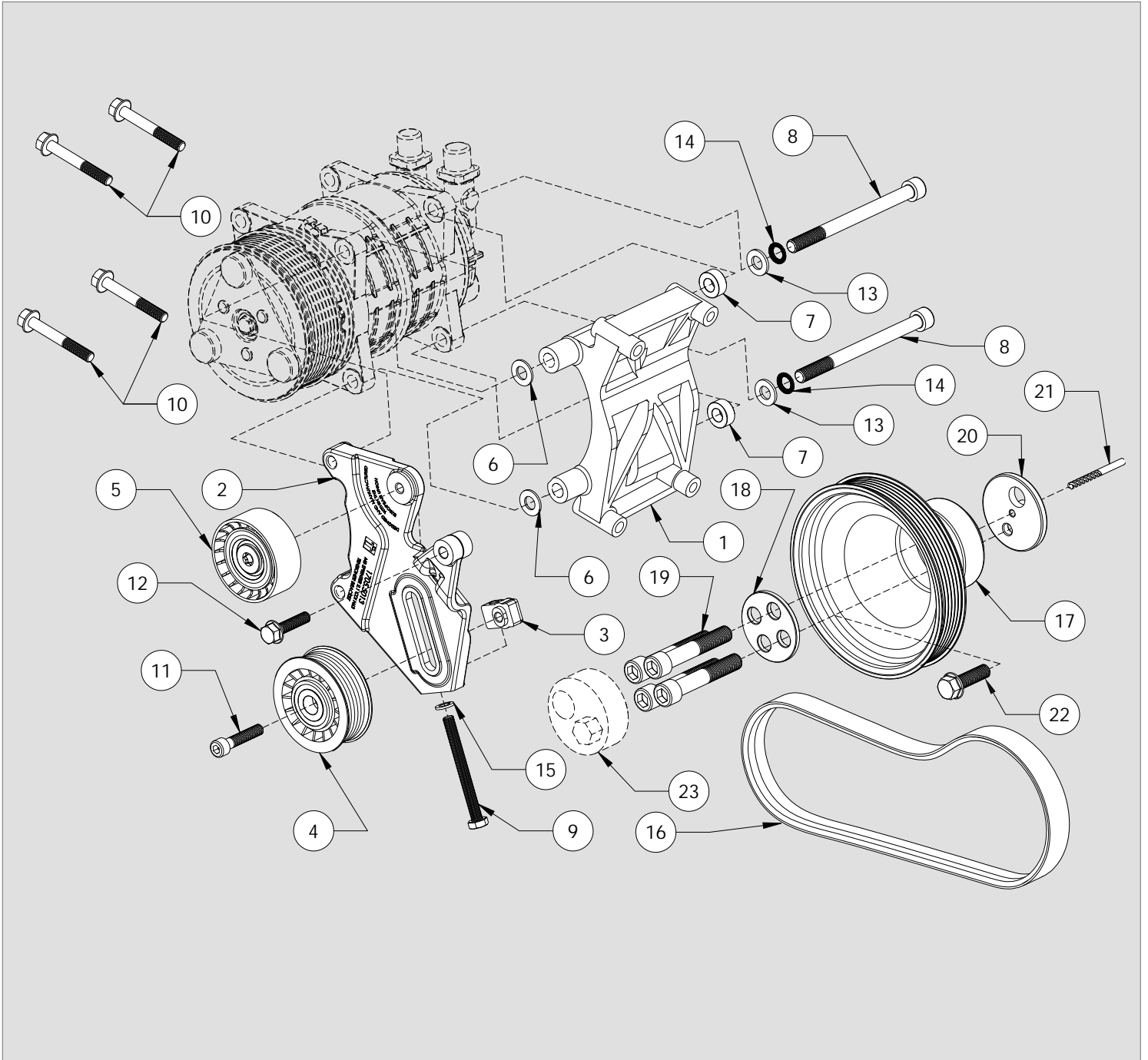
---



**Contents**

<b>ENGLISH</b> .....	4
Parts View.....	4
Parts List .....	5
Compressor Configurations .....	6
Standard Fastener Torque Values .....	6
Kit Details .....	7
Vehicle Details .....	7
Forward .....	7
Pre-Installation .....	8
Mount Bracket Installation .....	9
Compressor Installation.....	9
Idle Bracket Installation .....	10
Drive Belt Installation.....	10
Post Installation.....	11

PARTS VIEW / VUE ÉCLATÉE / TEILEANSICHT / VISTA PARTA / IMÁGENES DE LAS PIEZAS



## PARTS LIST / NOMENCLATURE / TEILELISTE / ELENCO DELLE PARTI / LISTA DE PIEZAS

ITEM	CODE / CODICE / KODE / CODIGO	DESCRIPTION / DESCRIZIONE / BESCHREIBUNG / DESCRIPCION	QTY.	COMMENTS
1	0440.3161	Mount Bracket	1	-
2	1705.5013	Idle Pulley Bracket	1	-
3	1703.5003	Idle Pulley Adjuster	1	-
4	1700.5021	Idle Pulley 6PK x 75 Dia	1	-
5	1700.0641	Idle Pulley - Original	1	-
6	2803.9023	Shim 20.00 OD x 10.50 ID x 1.60	2	-
7	2803.9013	Spacer - 20.00 OD x 10.40 ID x 8.40	2	-
8	2705.0301	Hex socket head cap screw M10 x 130 : 1.50 - 12.9	2	-
9	2719.0081	Hex Set Screw - M8 X 80 : 1.25 - 8.8	1	-
10	2704.1011	Hex flange bolt - M8 x 60 : 1.25 - 10.9	4	-
11	2704.0021	Hex socket head cap screw M8 x 40 : 1.25 - 12.9	1	-
12	2704.0481	Hex flange bolt Durlok - M8 x 35 : 1.25 - 12.9	1	-
13	2809.0011	Washer M10 Flat DIN 125 - A 10.5	2	-
14	2809.0101	M10 Schnorr safety washer type 'S'	2	-
15	2808.0031	Spring washer M8 x 1.6 - ID 8.3 OD 14.0	1	-
16	0820.2241	Belt - Poly Groove 6PK 1250	1	-
17	1701.5171	Crankshaft Pulley 6PK Dia 148	1	-
18	2809.0041	Crank Pulley Washer 55 Dia L4	1	-
19	2704.5501	Hex socket head cap screw M12 x 70 : 1.50 - 12.9	4	-
20	2803.3783	Crankshaft Pulley Drilling Jig	1	-
21	2803.3793	5mm Drill Bit	1	-
22	2705.0241	Hex flange bolt Durlok - M10 x 35 : 1.50 - 12.9	1	-
23	2510.5031	Crank Locking Tool	1	Not Included

**COMPATIBLE COMPRESSORS / COMPRESSEURS RECOMMANDÉS / EMPFOHLENE KOMPRESSOREN  
RACCOMANDATO COMPRESSORI / RECOMENDADAS COMPRESORES**

SELTEC	TM-13 HS	TM15-HS	TM16-HS
Comp No	0381.0202	0381.0002	0381.0312
Valeo No.	488-45120	488-45120	488-46134
Mounting	Ear	Ear	Ear
Rotor	8PV	8PV	8PV
GL	-	-	-
Armature	3E	3E	3E
Diameter	123	123	123
Voltage	12	12	12
Orientation	V	V	V
Fitting	3/4 x 7/8	3/4 x 7/8	3/4 x 7/8
Manifold	Bolt	Bolt	Bolt

QUE	QP13-HD	QP15-HD	QP16-HD
Comp No	0391.0202	0391.0002	0391.0312
Que No.	QP15-1302	QP15-1171	QP16-1581
Mounting	Ear	Ear	Ear
Rotor	8PV	8PV	8PV
GL	-	-	-
Armature	3E	3E	3E
Diameter	123	123	123
Voltage	12	12	12
Orientation	V	V	V
Fitting	3/4 x 7/8	3/4 x 7/8	3/4 x 7/8
Manifold	Bolt	Bolt	Bolt

SANDEN	-	-	-
Comp No	-	-	-
Sanden No.	-	-	-
Mounting	-	-	-
Rotor	-	-	-
GL	-	-	-
Armature	-	-	-
Diameter	-	-	-
Voltage	-	-	-
Orientation	-	-	-
Fitting	-	-	-

NOTES

**STANDARD FASTENER TORQUE VALUES**

In the absence of specific torque values detailed in this fitting instruction manual, the following chart can be used as a guide to the maximum safe torque for specific size and grade of fastener.

**COUPLES DE SERRAGE DES FIXATIONS STANDARDS**

Si des chiffres de serrage au couple particuliers ne sont pas indiqués dans cette notice de montage, se référer au tableau suivant qui servira de guide pour le couple de sécurité maximum correspondant à une taille et un grade spécifiques de fixation.

**ANZIEHMOMENTE FÜR STANDARDBEFESTIGUNGSMITTEL**




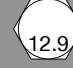
Falls in dieser Einbauanleitung keine speziellen Anziehmomente angegeben sind, kann die folgende Tabelle als Richtlinie für das maximale sichere Anziehmoment für eine spezifische Größe oder Qualität von Befestigungsmitteln dienen.

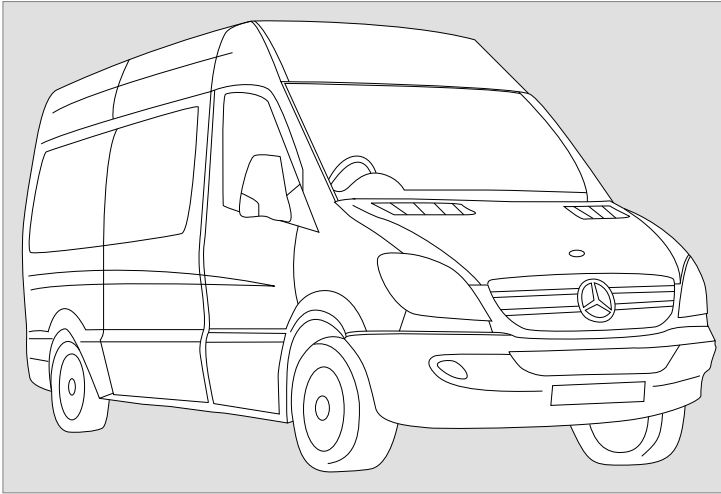
**VALORI STANDARD DI SERRAGGIO PER DISPOSITIVI DI FISSAGGIO**

In assenza di valori specifici di coppia nel presente manuale di istruzioni, si può utilizzare la seguente tabella come guida per conoscere la coppia massima sicura in base a dimensioni e grado del dispositivo di fissaggio.

**VALORES ESTÁNDAR DE LOS PARES DE APRIETE Y FIJACIÓN**

En ausencia de valores para los pares de apriete específicos detallados en este manual de instrucciones de montaje, se puede utilizar la siguiente tabla como guía para consultar el máximo par de torsión seguro para un tamaño concreto y su grado de fijación.

STRENGTH								
	Max Torque		Max Torque		Max Torque		Max Torque	
Dia / Pitch	lb.ft	Nm	lb.ft	Nm	lb.ft	Nm	lb.ft	Nm
M5 x 0.80	2	3	4.5	6	6.5	9	7.5	10
M6 x 1.00	4	5.5	7.5	10	11	15	13	18
M8 x 1.25	10	13	18	25	26	35	33	45
M10 x 1.25	20	27	39	53	57	78	66	90
M10 x 1.50	18	25	37	50	55	73	63	86
M12 x 1.75	33	45	63	85	97	130	111	150
M14 x 2.00	55	75	103	140	151	205	177	240
M16 x 2.00	85	115	159	215	232	315	273	370



## VEHICLE DETAILS

Manufacturer	Mercedes Benz
Make	Sprinter
Model	210 CDi / 214 CDi / 310 CDi / 314 CDi / 510 CDi / 213 Cdi / 313 Cdi / 413 Cdi / 513 Cdi / 216 Cdi / 316 Cdi / 416 Cdi / 514 CDi / 516 Cdi BLUETEC E6
Engine CC	2148
Engine Details	OM651
Year	10.2009 >
Chassis Nos.	N/A
LHD	YES
RHD	YES
PAS	YES
A/C	YES/NO
Voltage	12v

## KIT DETAILS

Kit Part No.	0500.6752
Description	Standard Kit
Compressor RPM	4694 @ Max Engine
	Power Output
Fitting Time	120 Minutes
Suction Fitting	90°
Discharge Fitting	90°
Belt Type	6PK 1250
Belt Part No.	0820.2241

## FOREWORD

The purpose of this manual is to facilitate the installation of a direct drive compressor. The information given is merely instructive, should any complications arise contact the Technical department. The manufacturer's warranty does not cover any problems caused by defective installation or alterations made unless authorised. The manufacturer shall not be responsible for any injury, damage or loss caused directly or indirectly as a result of using this manual or the information contained within it.

### 1 SAFETY MEASURES:

**Before fitting the Compressor adapter drive kit, ensure the following for damage:**

- a Inner and outer trim and body work
- b Engine idle pace
- c Check all the vehicle functions

**Check list:**

- a Ensure that the right kit has been selected
- b Before installing, check that all the correct pieces are present; also ensure that there are no missing or broken pieces
- c When fitting, make sure the vehicle is properly protected against damage.

### Installation apparatus

- a Calibrated torque wrench
- b Hand service tools
- c Protective covers and shields

### 2 PRECAUTIONS

- a Detach the battery negative lead.
- b Torque all bolts where stated using a calibrated torque wrench.
- c Take extreme care with moving parts.
- d Remove the vehicle's ignition key and keep it with you.
- e Wear safeguards and make sure that liquid refrigerant never touches your skin

**Caution:** Measures must be followed accurately to steer clear of the possibility of damage to individuals

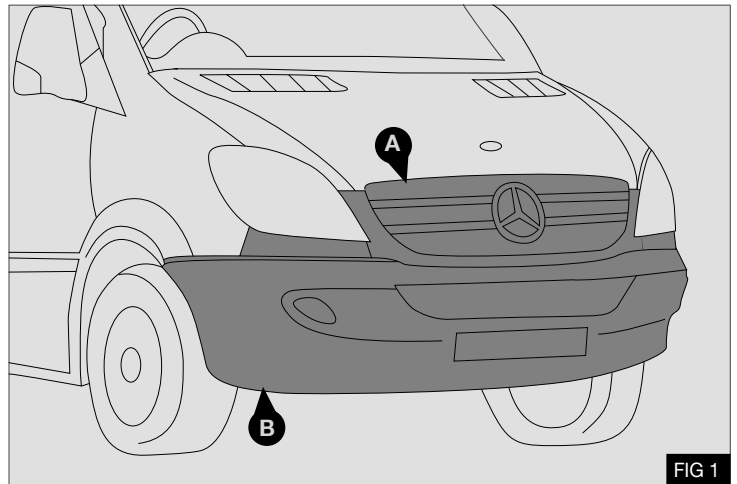
**Warning:** This calls awareness to actions which must be pursued to avoid damage to the components.

**NB:** This calls awareness to make the job easier or gives useful information.

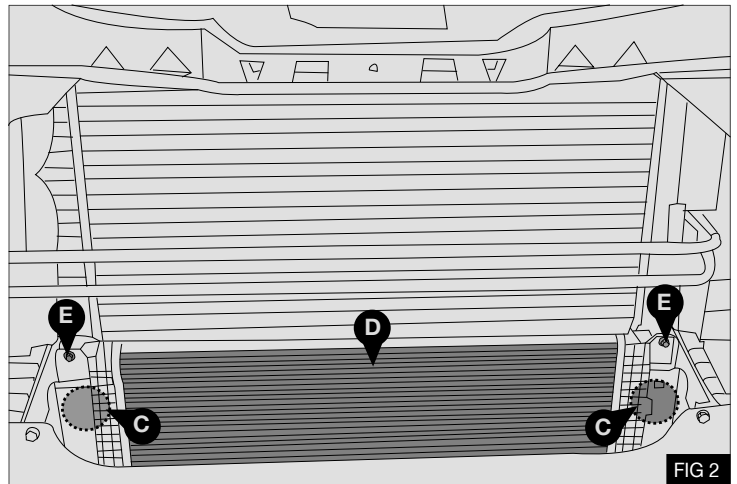
## PRE-INSTALLATION

**Note:** Before proceeding please read the installation precautions. The letters on drawings relate to text, numbers circled relate to the parts list in this manual.

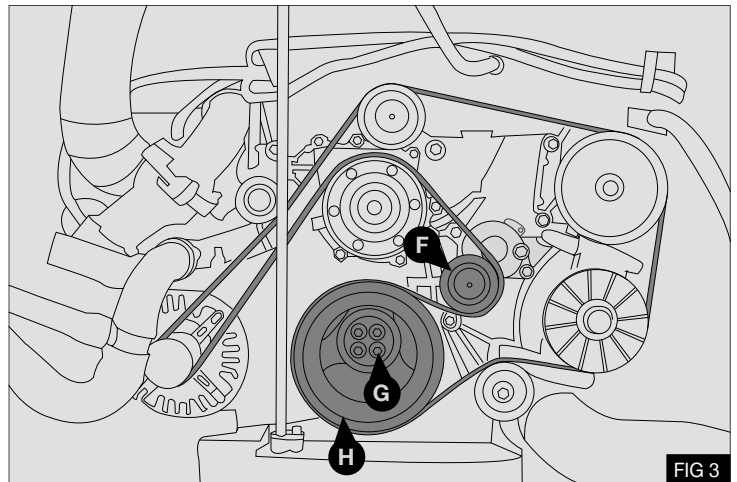
1. Remove the front grill (A) and bumper (B) from the vehicle - Fig 1



2. Disconnect the intercooler hoses (C) from the intercooler (D). Remove the two securing bolts (E) from the intercooler (D). Remove the intercooler (D) from the vehicle - Fig 2



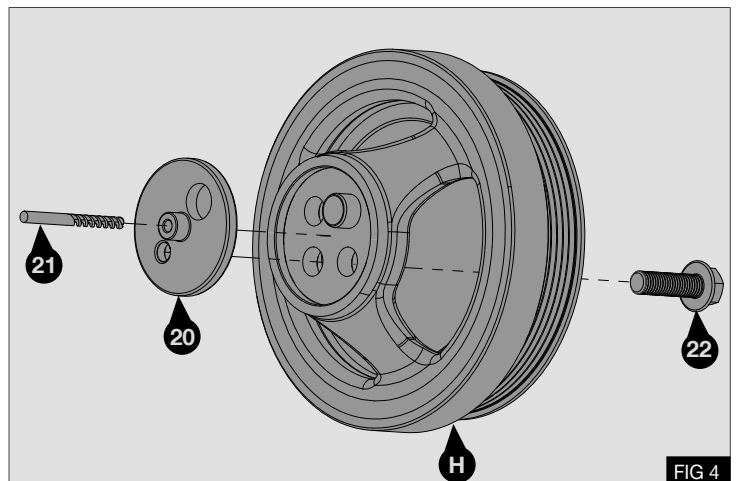
3. Using a suitable tool rotate the automatic belt tensioner pulley (F) clockwise and insert a 4mm pin to lock the tensioner open. Remove and retain the original drive belt, note the direction of rotation and the routing of the original belt - Fig 3
4. Remove and discard the original crankshaft pulley securing bolts (G). Remove the original crank pulley (H) from the vehicle - Fig 3



**NB:** Crankshaft locking tool (23) is required for this operation. It is not included in the kit.

5. Secure the drilling jig (20) to the rear of the original crank pulley (H) using bolt (22). Carefully drill through the centre of the crank pulley (H) from the rear using the supplied drill bit (21). Ensure that the drill remains perpendicular to the pulley face whilst drilling - Fig 4

**Note:** A pillar drill is recommended for the above operation.





6. Remove and discard the drilling jig (20) and the drill bit (21). De-bur the faces of the original crank pulley (H) where the faces have been drilled through.
7. Secure the original crank pulley (H), additional crank pulley (17) and the crank pulley washer (18) using bolts (19) - Fig 5  
  
Torque M12 x 70 bolts (19) to 80 Nm / 59 lb.ft + 90°
8. Refit the original drive belt (1) previously removed as shown in Fig 12.

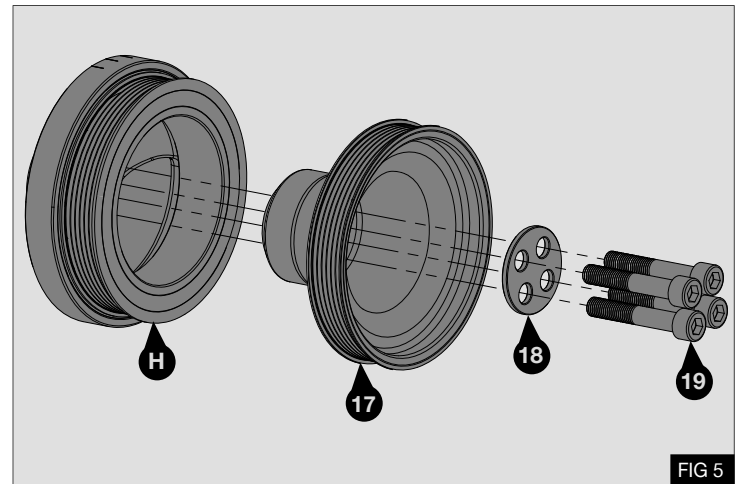


FIG 5

## MOUNT BRACKET INSTALLATION

**Note:** Please refrain from using “Loctite” unless otherwise notified.

1. Install the mount bracket (1) to the engine using the supplied M8 x 60 bolts (10) - Fig 6  
  
Torque bolts (10) to 25 Nm / 18.5 lb.ft using a calibrated torque wrench - Fig 6

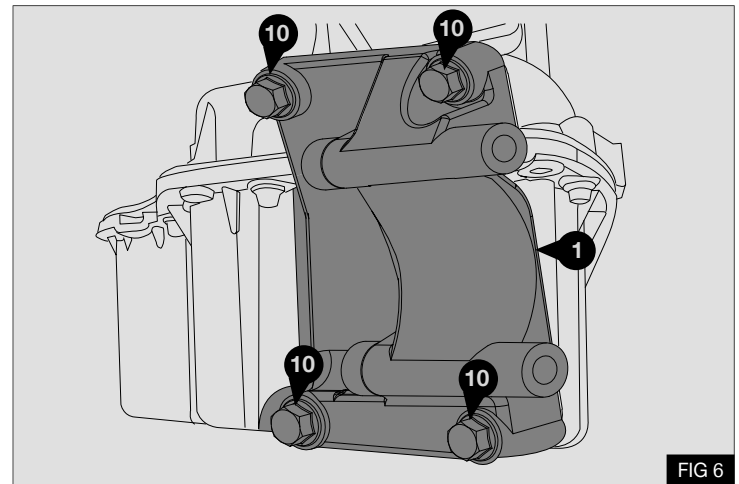


FIG 6

2. Using the supplied pulley (5) cut a thread into the hole in the sump in position shown - Fig 7.

**Note:** The pulley bolt (5) has a Trilobular thread and will cut a thread as it is tightened. Take care to tighten the pulley squarely to the pulley mount face when starting the thread.

3. Remove the pulley (5).

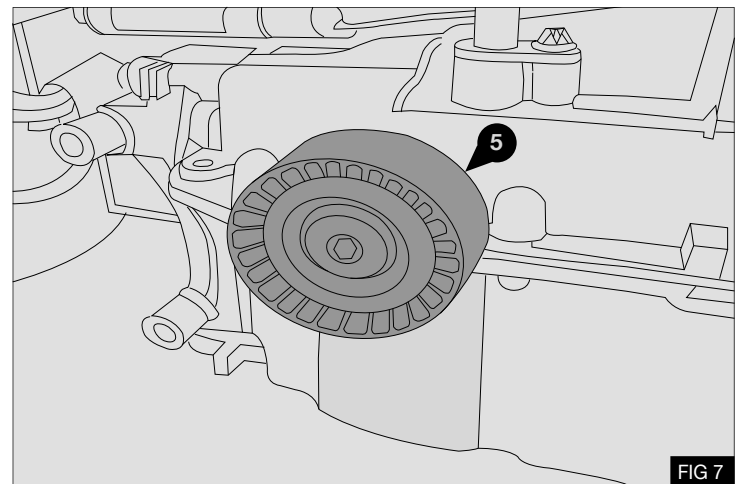


FIG 7

## COMPRESSOR INSTALLATION

1. Mount a compatible compressor specified on page 3 to the mount bracket (1), using 2 x 8.5 MM Spacers (7) between the rear ears of the compressor and the back mounting face of the mount bracket (1), 2 x 1.6 MM Spacers (6) between the front ears of the compressor and the front mounting face of the mounting bracket (1), 2 x M10 x 130 bolts (8), 2 x flat washers (13) and 2 x Schnorr safety washers (14) - Fig 8

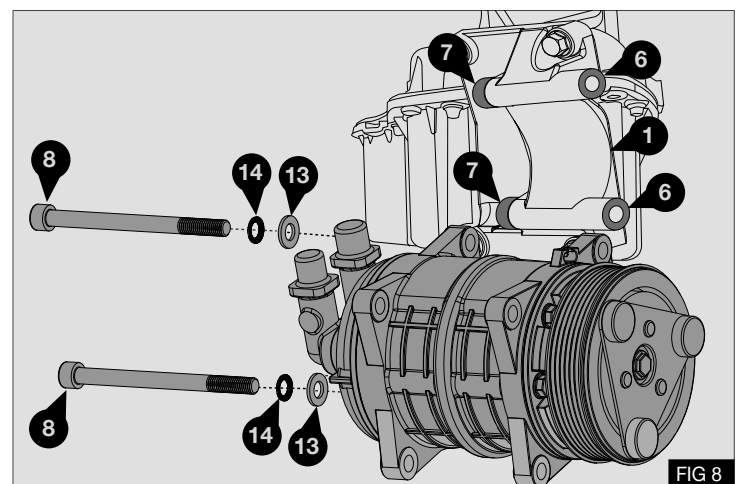


FIG 8

### IDLE BRACKET INSTALLATION

1. Mount the idle pulley ⑤ previously removed onto the tensioner bracket ② in the position shown - Fig 9

Torque the idle pulley securing bolt ⑤ to 25Nm / 18lbf using a calibrated torque wrench.

2. Mount the supplied idle pulley ④ on to the tensioner bracket ② using bolt ⑪, draw bolt mounting block ③, washer ⑮ and M8 x 80 bolt ⑨ in the position shown. Leaving the idle pulley tensioner assembly loose - Fig 9

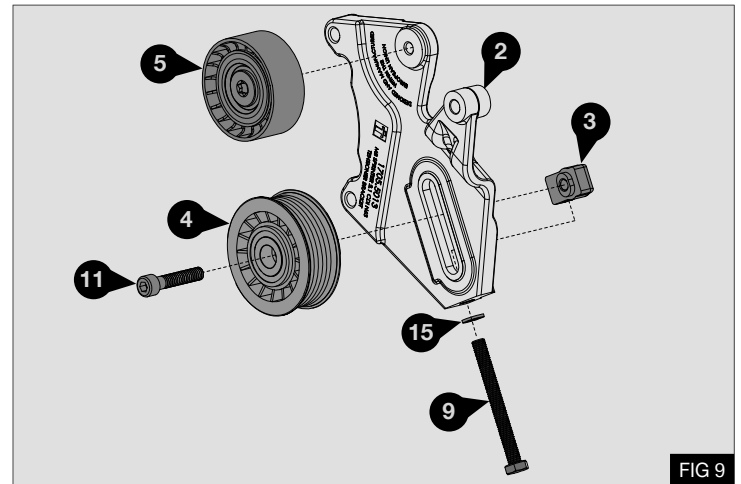


FIG 9

3. Mount the tensioner bracket assembly to the front compressor ears, using the 2 x M10 x 130 bolts ⑧ previously fitted - Fig 10
4. Secure the tensioner bracket assembly to the mounting point for the original idle pulley, using bolt ⑫ M8 x 35 - Fig 10

Torque bolts ⑧ to 50Nm / 37lbf using a calibrated torque wrench.

Torque bolt ⑫ to 25Nm / 18lbf using a calibrated torque wrench.

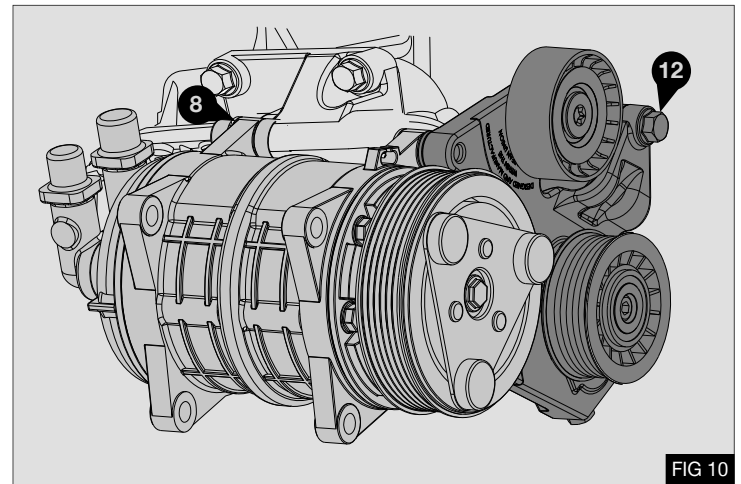


FIG 10

### DRIVE BELT INSTALLATION

1. Fit supplied poly groove drive belt ⑮ - Fig.11

CP Crankshaft Pulley  
 TP Tensioner Pulley  
 IP Idle Pulley  
 RC Refrigeration Compressor

2. Tension the drive belt ⑮ using bolt ⑨ to the correct tension detailed in the belt tension table

3. When correct tension has been achieved, tighten bolt ⑪

Torque bolt ⑪ to 25Nm / 18lbf using a calibrated torque wrench.

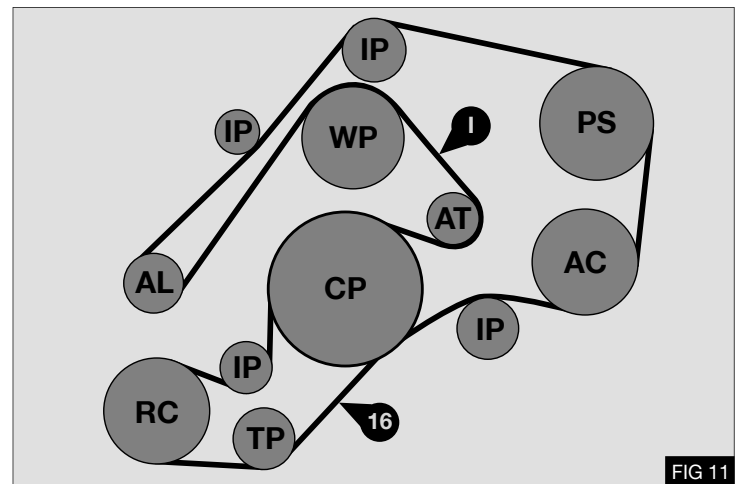


FIG 11

**WARNING:** The compressor drive belt ⑮ must be fitted one groove back as shown in Fig 12 if using an PV8 Compressor

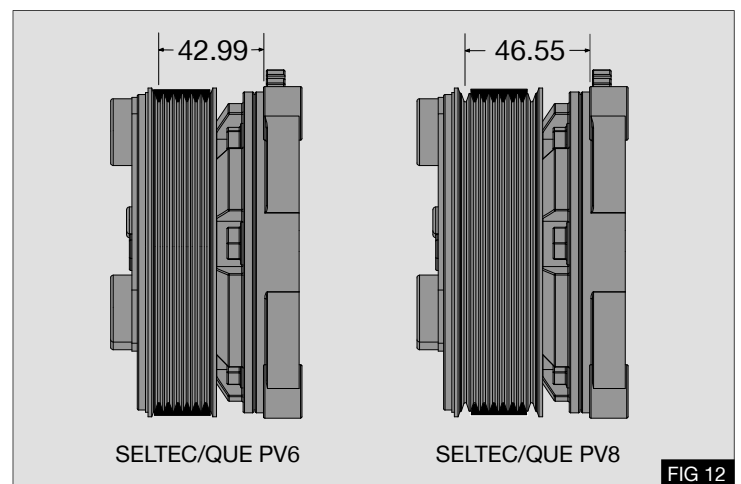


FIG 12

**POST INSTALLATION**

1. Before starting the engine check all the installed parts and ensure that the belt is installed correctly. Run the unit for at least ten minutes, then check the whole mounting assembly and previously removed parts. Attach the supplied warning label on to a suitable location.

**NB:** Check the belt tension when the belt is hot. It is important that the belt is allowed to cool before re-tensioning. Always re-tension new belts if the tension is less than the used belt amount.

<b>BELT TENSION TABLE</b>		
Belt	Belt Age	Belt Tension Using a Belt Tension Gauge
6 PK	New Belt	72 - 84 kg
6 PK	Used Belt / Re-Tension	54 - 60 kg

(EN)

Techni focuses on constant upgrading of its products. The Manufacturer reserves the right to modify the models and components described in the present publication at any time for technical or commercial reasons and without prior notice. For further information, contact Techni technical services.

(DE)

Techni ist stets bestrebt die eigenen Produkte zu verbessern. Die Herstellerfirma behält sich das Recht vor, aus technischen oder Verkaufsgründen, zu jeder Zeit und ohne vorherige Ankündigung, Abänderungen an den Modellen und den in dieser Veröffentlichung beschriebenen Einbauteile vorzunehmen. Für weitere Informationen bitten wir Sie, sich an unseren Techni Kundendienst zu wenden.

(FR)

Techni vise à une amélioration constante des ces produits. La maison se réserve le droit d'apporter, à tout moment et sans préavis, des modifications aux modèles et aux composants décrits dans cette publication pour des raisons d'ordre technique ou commerciale. Pour d'ultérieures informations s'adresser au service d'assistance Techni.

(IT)

Techni mira ad un costante miglioramento dei propri prodotti. La Casa si riserva il diritto di apportare in qualunque momento e senza preavviso modifiche ai modelli e ai componenti descritti in questa pubblicazione per ragioni di natura tecnica o commerciale. Per ulteriori informazioni rivolgersi al servizio assistenza Techni.

(ES)

Techni aspira a un constante mejoramiento de su producción. La Fábrica se reserva el derecho de aportar en cualquier momento y sin preaviso modificaciones a los modelos y los componentes descritos en esta publicación por razones técnicas o comerciales. Para ulteriores informaciones dirigirse al servicio asistencia Techni.

VENDITA E SERVIZIO  
VENTE ET SERVICE

SALES AND SERVICE  
VERKAUF UND SERVICE



Sundorne Trade Park, Henley Way,  
Shrewsbury, United Kingdom, SY1 4NS  
Telephone (+44) (0) 1743 443176  
Fax (+44) (0) 1743 443113  
Email: [sales@techni.co.uk](mailto:sales@techni.co.uk)